

DWC-VA853WTIR



WHAT'S IN THE BOX

Hegaxonal Wrench (HEX2.0)		1	Mounting template		1
Screw and plastic anchor-2pcs		1 set	Quick setup guide		1
DC plug cable		1			

NOTE: Download all your support materials and tools in one place.

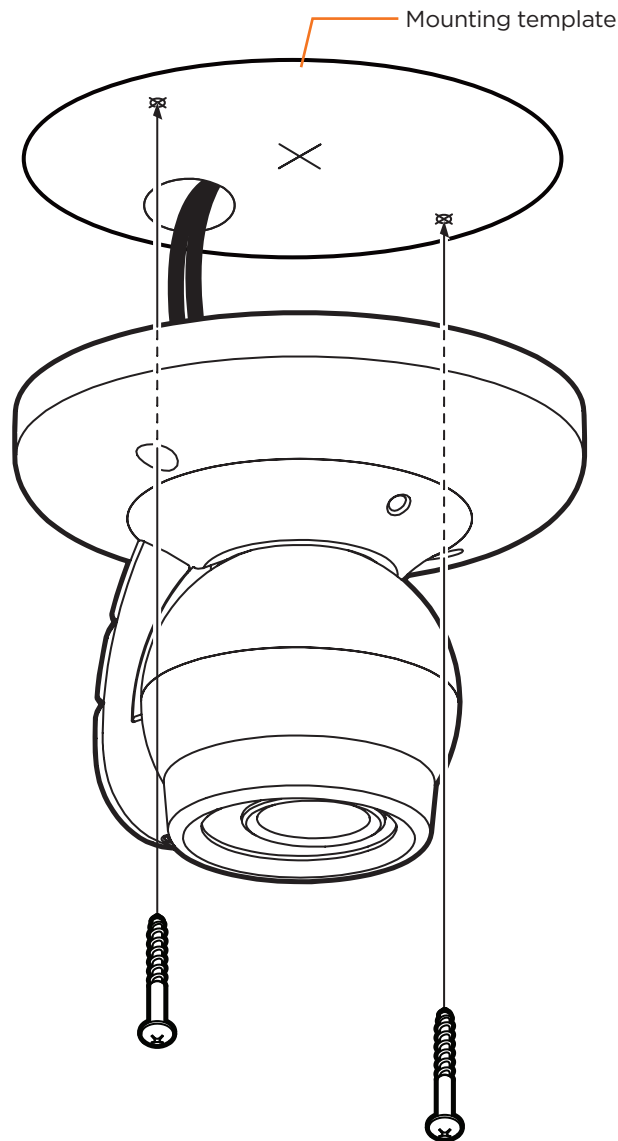
- Go to: <http://www.digital-watchdog.com/resources>
- Search your product by entering the part number in the 'Search by Product' search bar. Results for applicable part numbers will populate automatically based on the part number you enter.
- Click 'Search'. All supported materials, including manuals and quick start guide (QSGs) will appear in the results.



Attention: This document is intended to serve as a quick reference for the initial setup. It is recommended that the user read the entire instruction manual for complete and proper installation and usage.

STEP 1 - PREPARING TO MOUNT THE CAMERA

- The mounting surface must withstand five times the camera weight.
- Do not let the cables get caught in improper places or the electric line cover can be damaged. This may cause a short or fire.
- Use the mounting template to mark and drill the necessary holes in the mounting surface.
- This product is intended to be supplied by a UL Listed Power Supply Unit marked "Class 2" or "LPS" or "PS2" and rated 12 Vdc, 0.38A min.



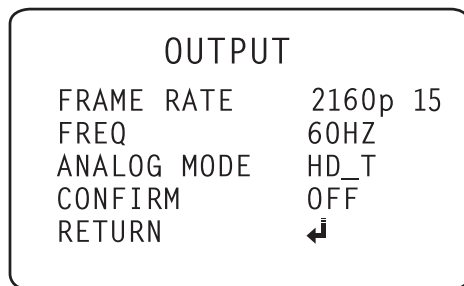
STEP 2 - CABLING THE CAMERA TO EXTERNAL DEVICES

Pass the wires through the mount bracket and make all necessary connections. Connect the BNC cable and power cables to the camera.

Power requirements	Power consumption
DC12V	DC12V (LED off): 3W (250mA) DC12V (LED on): 4.54W (378mA)

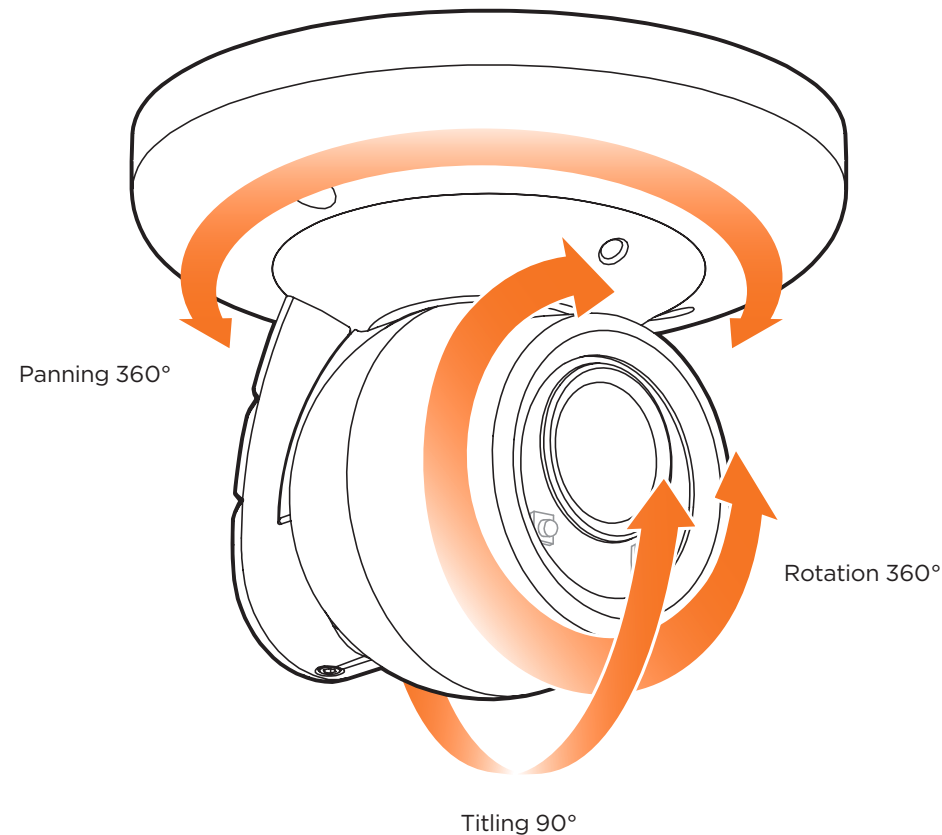
STEP 3 - CHANGING THE SIGNAL IN THE CAMERA

1. The camera supports HD-Analog, HD-CVI and HD-TVI signals as well as CVBS up to 960H. To switch between the signals:
 - a. Enter the camera's OSD menu. You can access it locally from using the camera's joystick in the body of the camera, or from a recorder supporting UTC communication. Go to SETUP > OUTPUT.
 - b. Set the camera's resolution from the following options:
 - 4K/2160p @15fps.
 - 5MP/1440 @30fps.
 - 2.1MP/1080p @30fps.
 - c. Set the camera's analog signal output from the following options:
 - HD-A - HD-Analog
 - HD-T - HD-TVI
 - HD-C - HD-CVI
 - CVBS - legacy analog signal
 - d. Change CONFIRM to ON to save the changes.
 - e. Go to the EXIT menu and select SAVE&EXIT to save all changes. The camera signal automatically.



STEP 4 - INSTALLING THE CAMERA

1. Once all cables have been connected, use the screws included with the camera to properly mount and secure the camera to the mounting surface.
2. Adjust the camera's pan, tilt and position to achieve the desired view. The cameras' max angles are:
 - Pan: 0° - 360°
 - Tilt: 0° - 90°
 - Rotation: 0° - 360°
3. Once the installation is complete, tighten the pan/tilt/rotation screw until it's secure.



NOTE: To use your Star-Light Plus™ 4K cameras at a lower resolution, you must use a VMAX® A1 4K DVR to access the camera's menu due to the cameras being set to 4K as the default. A DVR that does not support 4K resolution may recognize the camera, but will not deliver a picture.