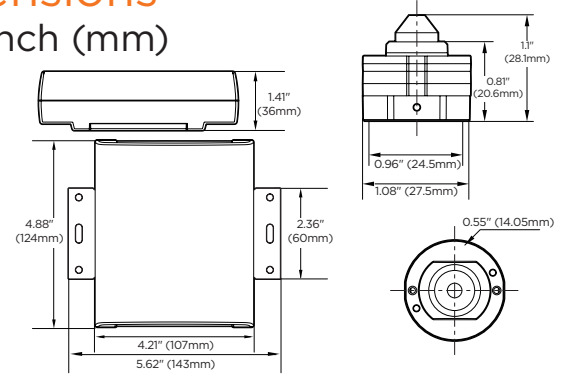


Dimensions

Unit: Inch (mm)



Summary

This NDAA-compliant MEGApix® 2.1MP/1080p pinhole IP camera is an ATM camera that delivers crystal-clear real-time 30fps images at close range. The camera's small, compact design and sturdy main body make it ideal for banks and credit unions looking for reliable and discreet surveillance at ATMs.

Features

- 2.1MP/1080P sensor at real-time 30fps
- Star-Light Plus™ color in near-total darkness technology
- 2.8mm fixed lens
- ATM pinhole camera for concealed installation
- True Wide Dynamic Range (WDR) for clear images in challenging light
- Simultaneous streaming and multiple codec options for smart bandwidth management
- Smart DNR™ 3D digital noise reduction reduces noise and ghosting for motion in low-light environments.
- Privacy zones cover sensitive areas in the camera's field of view.
- Local SD card slot for local recording in case of network loss
- Alarm sensor input and relay output for access control integration
- Web server built-in for easy camera management from any browser
- PoE and DC12V for single cable simplified installation
- NDAA compliant for federal and government projects
- IP67-rated camera housing built to last
- 5 year warranty

Specifications



IMAGE	
Image sensor	2.1MP/1080p 1/2.8" CMOS
Total pixels	1945(H) X 1109(V)
Minimum scene illumination	0.065 lux (color)
LENS	
Focal length	2.8mm, F2.2
Lens type	Fixed lens
HFOV/VFOV	106.6°/55.7°
I/O	
Alarm in/out	1/1
OPERATIONAL	
Intelligent Video Analytics	Intrusion, line crossing, counting line, loitering, enter, exit, tamper, object removed, tailgating, direction, stopped, appear, disappear, object left, logical rules.* NOTE: object removed, tailgating, direction, stopped, appear, disappear, object left, and logical rules are available via IVA+ plugin update. For existing cameras, contact your DW sales representative for a complimentary update.
Shutter speed	1/15 - 1/32000
Slow shutter	2X, 3X, 5X, 6X, 7.5X, 10X
Auto gain control	Auto
Day and night	Color only
3D Digital Noise Reduction	Smart DNR™ 3D-DNR
Wide Dynamic Range (WDR)	True WDR, 120dB
Privacy zones	16 programmable privacy masks
Backlight compensation (BLC)	Yes
Mirror and flip	Yes
Alarm notifications	Email, alarm output, FTP server or SD card recording
Memory slot	Micro SD up to 128GB (card not included)
NETWORK	
LAN	RJ45 (10/100Base-T)
Video compression type	H.265, H.264, MJPEG
Resolution	H.265: 2.1MP/1080p, 720p, 640x360, CIF, SIF H.264: 2.1MP/1080p, 720p, 640x360, CIF, SIF MJPEG: 2.1MP/1080p, 720p, 800x600, 768x432, 704x576, 480p, VGA, 640x360, CIF, SIF
Frame rate	Up to 30fps at all resolutions
Video bitrate	100Kbps - 10Mbps, multi-rate for preview and recording
Bitrate control	Multi Streaming CBR/VBR at H.264, H.265 (Controllable frame rate and Bandwidth)
Streaming capability	Dual-stream at different rates and resolutions
Protocol	IPv4: TCP/IP, UDP, AutoIP, RTP (UDP/TCP), RTSP, NTP, HTTP, HTTPS, SSL, DNS, DDNS, DHCP, FTP, SMTP, ICMP, SNMPv1/v2/v3 (MIB-2), ONVIF
Security	HTTPS (TLS), IP filtering, 802.1x, digest authentication (ID/PW)
ONVIF conformance	Yes
Web viewer	OS: Windows®, Mac® OS, Linux® Browser: IE®, Google Chrome®, Mozilla Firefox®, Safari®
Video management software	DW Spectrum®
ENVIRONMENTAL	
Operating temp and humidity	-4°F - 122°F (-20°C - 50°C), 10-90% (non-condensing)
Other certifications	CE, FCC, RoHS, UL listed
ELECTRICAL	
Power requirement	DC 12V, PoE IEEE 802.3af Class 3. (Adapter not included)
Power consumption	DC12V: 3.6W, PoE: 4W
MECHANICAL	
Material	Sensor Camera: Aluminum die-casting, Main unit: Plastic
Dimensions	Main unit: 4.21" x 4.88" x 1.41" (107 x 124 x 36mm) Camera sensor: 1.1" x 1.08" (28.1 x 27.5mm) Cable length: 21.32ft (6.5m)
Weight	0.92 lbs (0.42 kg)
Warranty	5 year warranty

Accessories (optional)



DWC-PHCENW
Concealed corner mount



866.446.3595

sales@digital-watchdog.com

www.digital-watchdog.com

Built for Users.™

