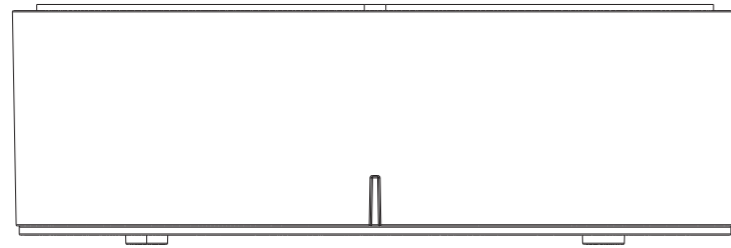
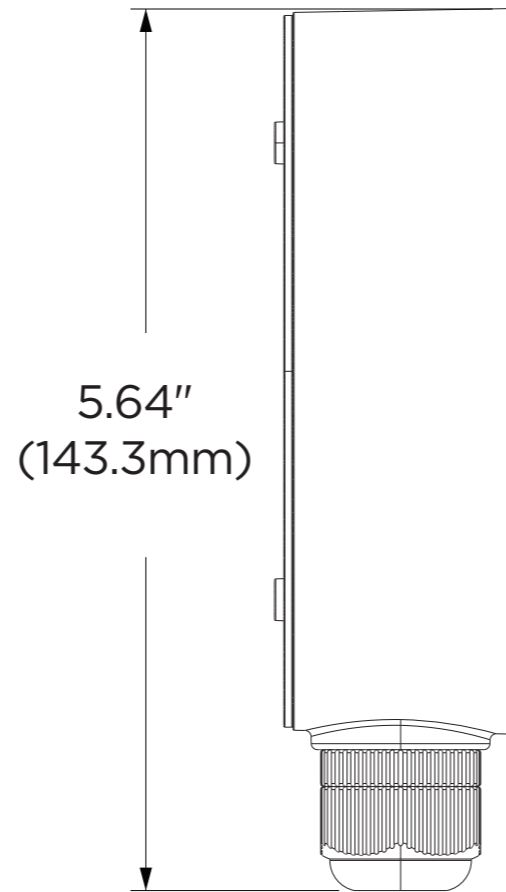
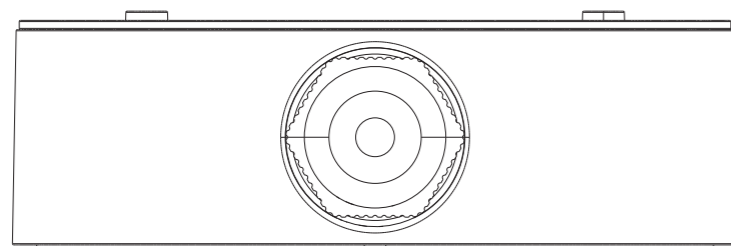
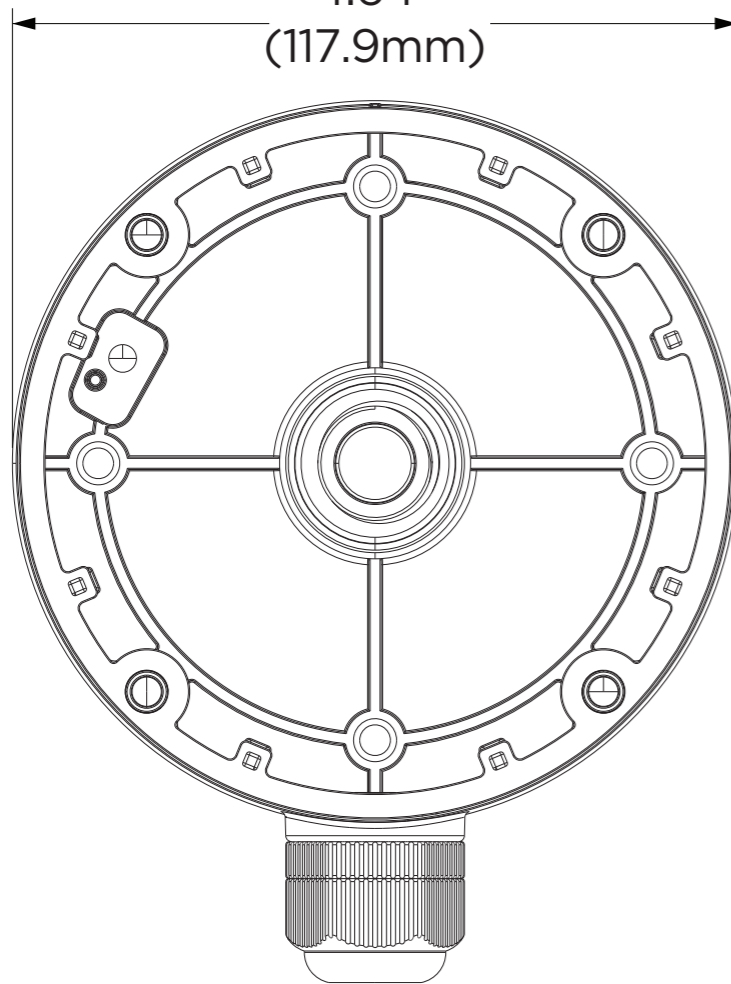


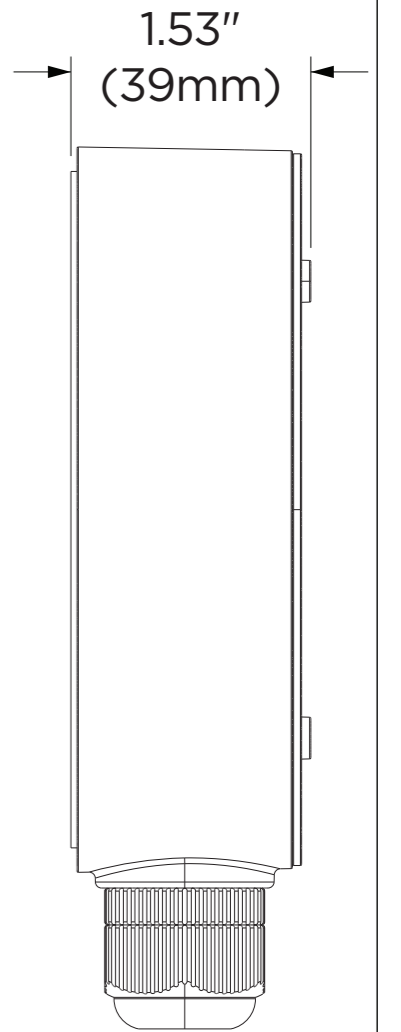
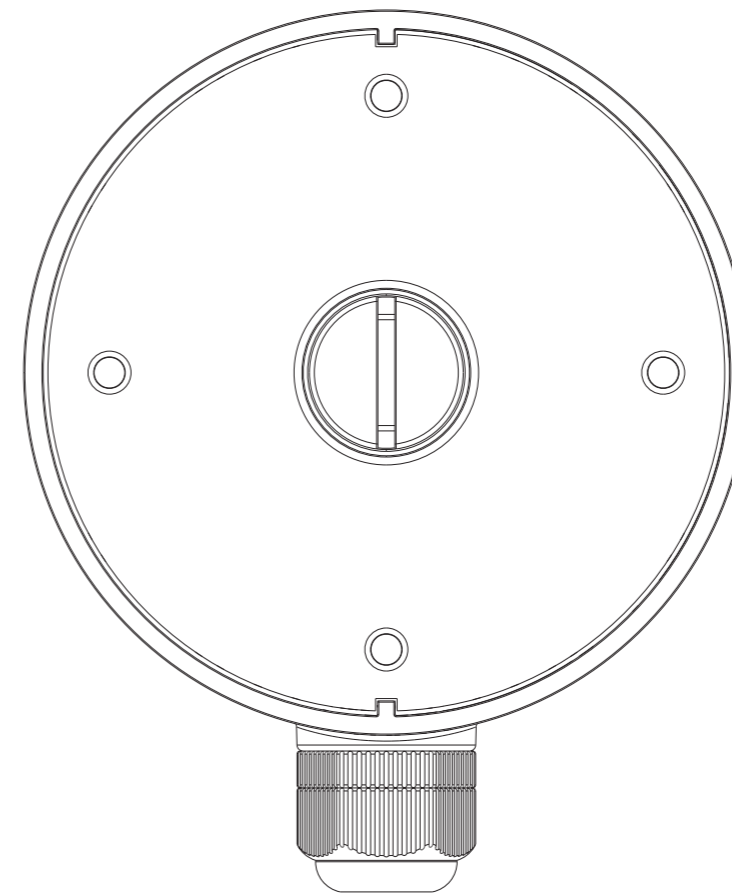
| | | | |
|-----------|-------------|---|-------|
| DATE | SCALE | MATERIAL | TYPE |
| 04/2024 | | Aluminum | Fixed |
| DW | DESCRIPTION | DWC-MV9CMJ Ceiling mount bracket and junction box for V9 vandal dome cameras with fixed lens | |




4.64"
(117.9mm)



5.64"
(143.3mm)



1.53"
(39mm)

| | | | |
|---|---|----------|-------|
| DATE | SCALE | MATERIAL | TYPE |
| 04/2024 | | Aluminum | Fixed |
|  | DESCRIPTION DWC-MV9CMJ Ceiling mount bracket and junction box for V9 vandal dome cameras with fixed lens | | |