

DW[®] Universal HD over Coax[®] vandal dome cameras

DWC-V6263WTIR



WHAT'S IN THE BOX

Star Wrench (T-20)		1	Mounting template		1
DC plug cable		1	Screws and plastic anchors - 4pcs		1 set
Test video cable		1	Moisture absorber and absorber guide (recommended)		1
Quick set up guide		1			

NOTE: Download all your support materials and tools in one place.

- Go to: <http://www.digital-watchdog.com/resources>.
- Search your product by entering the part number in the 'Search by Product' search bar. Results for applicable part numbers will populate automatically based on the part number you enter.
- Click 'Search'. All supported materials, including manuals and quick start guide (QSGs) will appear in the results.



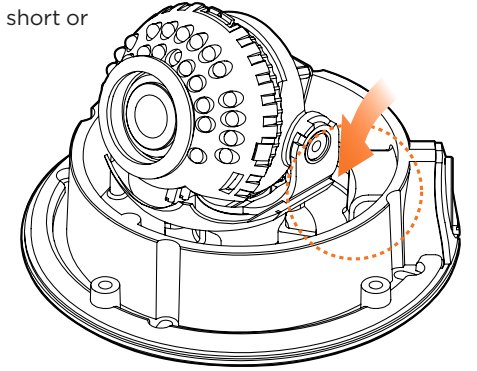
Attention: This document is intended to serve as a quick reference for the initial setup. It is recommended that the user read the entire instruction manual for complete and proper installation and usage.

STEP 1 - PREPARING TO MOUNT THE CAMERA

- The mounting surface must withstand five times the weight of your camera.
- Do not let the cables get caught in improper places or the electric line cover can be damaged. This may cause a short or fire.
- Install the moisture packet in the base of the camera's lens.
 - Remove the moisture absorber from the packaging.
 - Cut the card and folder along the dotted line.
 - Place the moisture absorber behind the camera's lens module. See drawing for more information.



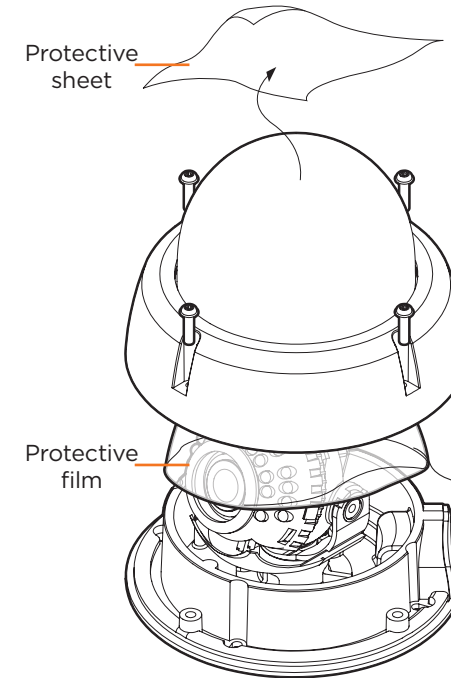
✂ Please cut the card type absorber along a dotted line, overlap and attach them according to the direction of the arrow.



NOTE: The camera will generate enough heat to dry moisture during operation. In most cases it will not need the moisture absorber for more than the first day. In cases where the camera can experience a moisture issue, users must keep the moisture absorber in the camera. The moisture absorber has an approximately 6-month life cycle, varying depending on the environment.

WARNING: It is highly recommended that you install the moisture absorber when mounting the camera. The moisture absorber prevents moisture from being captured inside the camera's housing, which may cause image performance issues and damage the camera.

- This product is intended to be supplied by a UL Listed Power Supply Unit marked "Class 2" or "LPS" or "PS2" and rated 12 Vdc, 0.44A min. or 24 Vac, 50/60Hz 0.29A min.
- Remove the dome protection film before placing the dome back on the camera base.
- Using the mounting template sheet or the camera itself, mark and drill the necessary holes in the wall or ceiling.



STEP 2 - CABLING THE CAMERA TO EXTERNAL DEVICES

Pass the wires through the mount bracket and make all necessary connections. Connect the BNC cable and power cables to the camera.

Power Requirements	Power Consumption
DC12V/AC24V dual voltage	DC12V (LED off): 2.94W DC12V (LED on): 5.22W AC24V (LED off): 2.5W AC24V (LED on): 4.35W

STEP 3 - CHANGING THE SIGNAL IN THE CAMERA

1. The camera supports HD-Analog, HD-CVI and HD-TVI signals. To switch between the signals:

a. Remove the camera's dome to access the joystick and OSD control on the base of the camera.

b. Use the OSD Switch to switch the camera's signal.

- To switch the camera to HD-TVI mode, press OSD joystick to the left for 5 seconds.
- To switch the camera to HD-Analog mode, press OSD joystick to the right for 5 seconds.
- To switch the camera to CVBS mode, press OSD joystick up for 5 seconds.
- To switch the camera to HD- CVI mode, press OSD joystick down for 5 seconds.

STEP 4 - INSTALLING THE CAMERA

1. Once all cables have been connected, use the screws included with the camera to properly mount and secure the camera to the mounting surface.

2. Adjust the camera's pan, tilt and position to achieve the desired view. The cameras' max angles are:

Pan: 0° - 360°

Tilt: 0° - 90°

Rotation: 0° - 360°

3. To adjust the camera's focus and zoom:

- Unlock the zoom or focus screws by rotating them counter-clockwise.
- Adjust the zoom and focus screws at the base of the camera module to achieve a clear image.
- Tighten the screws and close the front case by rotating it clockwise.

4. Once the installation is complete, remove the protective film from the camera's dome cover.

