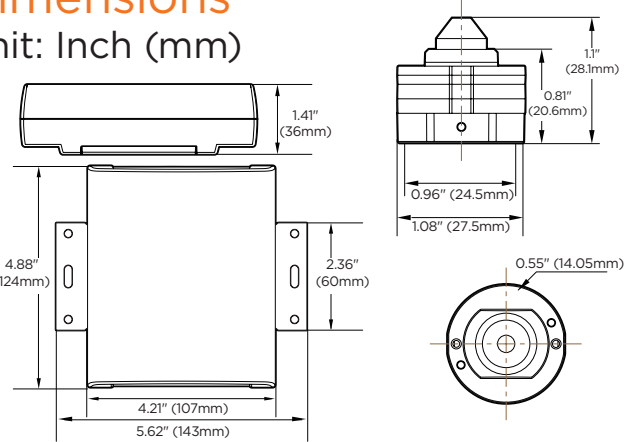




## Dimensions

Unit: Inch (mm)



## Summary

This MEGApix® IVA+™ IP camera is your gateway to powerful video analytics features. The 2.1MP/1080p pinhole IP camera is an NDAA-compliant ATM camera that delivers crystal-clear real-time 30fps images at close range. The MEGApix IVA+ cameras have a powerful engine to detect and classify people, vehicles and objects in real-time with support for logical rules. The camera's small, compact design and sturdy main body make it ideal for banks and credit unions looking for reliable and discreet surveillance at ATMs.

## Features

- 2.1MP/1080p 1/2.8" image sensor at real-time 30fps
- Intelligent Video Analytics (IVA) with extended features (IVA+)
- Seamless integration and control of IVA rules with DW Spectrum® IPVMS
- Reduce false alarms
- Increase your recording storage with logic rules and smart recording
- 2.8mm fixed lens
- True Wide Dynamic Range (WDR)
- H.265, H.264, MJPEG codecs with simultaneous streaming
- ATM pinhole camera
- Smart DNR™ 3D digital noise reduction
- Programmable privacy zones
- Auto gain control (AGC)
- Backlight compensation (BLC)
- Auto white balance (AWB)
- Motion detection
- Micro SD/SDHC/SDXC class 10 card slot (card not included)
- Alarm sensor input
- Relay output
- Web server built-in
- PoE class 3 and DC12V
- ONVIF conformant, profile S
- NDAA-compliant
- UL listed
- 5 year warranty



## Specifications



IMAGE	
Image sensor	2.1MP/1080p 1/2.8" CMOS
Total pixels	1945(H) X 1109(V)
Minimum scene illumination	0.065 lux (color)
LENS	
Focal length	2.8mm, F2.2
Lens type	Fixed lens
HFOV/VFOV	106.6°/55.7°
I/O	
Alarm in/out	1/1
OPERATIONAL	
Intelligent Video Analytics	IVA license: intrusion, line crossing, counting line, loitering, enter, exit, tamper IVA+ license: object removed, tailgating, direction, stopped, appear, disappear, object left
Shutter mode	Auto, manual, anti-flicker, slow shutter
Shutter speed	1/15 - 1/32000
Slow shutter	2X, 3X, 5X, 6X, 7.5X, 10X
Auto gain control	Auto
Day and night	Color only
Smart DNR™ 3D Digital Noise Reduction	3D-DNR
Wide Dynamic Range (WDR)	True WDR, 120dB
Privacy zones	16 programmable privacy masks
Backlight compensation (BLC)	Yes
Mirror and flip	Yes
Alarm notifications	Email, alarm output, FTP server or SD card recording
Memory slot	Micro SD up to 128GB (card not included)
NETWORK	
LAN	RJ45 (10/100Base-T)
Video compression type	H.265, H.264, MJPEG
Resolution	H.265: 2.1MP/1080p, 720p, 640x360, CIF, SIF H.264: 2.1MP/1080p, 720p, 640x360, CIF, SIF MJPEG: 2.1MP/1080p, 720p, 800x600, 768x432, 704x576, 480p, VGA, 640x360, CIF, SIF
Frame rate	Up to 30fps at all resolutions
Video bitrate	100Kbps - 10Mbps, multi-rate for preview and recording
Bitrate control	Multi Streaming CBR/VBR at H.264, H.265 (Controllable frame rate and Bandwidth)
Streaming capability	Dual-stream at different rates and resolutions
Protocol	IPv4: TCP/IP, UDP, AutoIP, RTP (UDP/TCP), RTSP, NTP, HTTP, HTTPS, SSL, DNS, DDNS, DHCP, FTP, SMTP, ICMP, SNMPv1/v2/v3 (MIB-2), ONVIF
Security	HTTPS (TLS), IP filtering, 802.1x, digest authentication (ID/PW)
ONVIF conformance	Yes
Web viewer	OS: Windows®, Mac® OS, Linux® Browser: IE®, Google Chrome®, Mozilla Firefox®, Safari®
Video management software	DW Spectrum® IPVMS
ENVIRONMENTAL	
Operating temp and humidity	-4°F - 122°F (-20°C - 50°C), 10-90% (non-condensing)
Other certifications	CE, FCC, RoHS, UL listed
ELECTRICAL	
Power requirement	DC 12V, PoE IEEE 802.3af Class 3. (Adapter not included)
Power consumption	DC12V: 3.6W, PoE: 4W
MECHANICAL	
Material	Sensor Camera: Aluminum die-casting Main unit: Plastic
Dimensions	Main unit: 4.21" x 4.88" x 1.41" (107 x 124 x 36mm) Camera sensor: 1.1" x 1.08" (28.1 x 27.5mm) Cable length: 21.32ft (6.5m)
Weight	0.92 lbs (0.42 kg)
Warranty	5 year warranty