

Designed, Assembled and Tested in the U.S.A. 



-  10-30TB Storage
-  Record up to 64 IP Cameras
-  HD Output
-  Two NIC Cards
-  IPVMS
-  5 YEAR Limited Warranty

## Summary

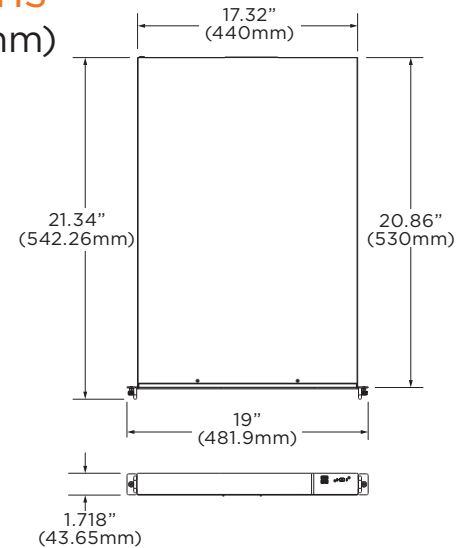
Blackjack<sup>®</sup> P-Rack<sup>™</sup> servers can record and manage single- and multi-sensor IP cameras of any resolution, with an equivalent capacity of up to 64 2.1MP cameras at 30fps and a maximum of 360Mbps throughput. Standard features include Intel<sup>®</sup> i5<sup>™</sup>, Windows<sup>®</sup> 10 IoT or Linux<sup>®</sup> Ubuntu<sup>®</sup> OS and 2x NIC cards. Blackjack<sup>®</sup> P-Rack<sup>™</sup> servers can be configured with 10-30TB HDD and come with our 5 year limited warranty.

## Features

- Supports All ONVIF conformant IP cameras
- Storage options 10-30TB internal storage
- Record and manage single- and multi-sensor IP cameras of any resolution up to 64 2.1MP cameras at 30fps and a maximum of 360Mbps throughput
- True HD, VGA and DVI local monitoring outputs ports
- Dual network ports
- Windows<sup>®</sup> 10 IoT or Linux<sup>®</sup> Ubuntu<sup>®</sup> 16.04 OS on separate SSD
- USB interface
- Hosting DW Spectrum<sup>®</sup> IPVMS for setup, configuration, monitoring and recording
- One-time recording license charge, fully transferable between cameras and encoders
- One (1) DW Spectrum<sup>®</sup> IPVMS 4-channel licenses included (DW-SPECTRUMLSC004)
- No annual maintenance fees
- Simple enterprise scalability
- Auto device discovery
- Dual stream recording
- Rail kit Included
- USB mouse and keyboard included
- Designed, assembled and tested in the U.S.A.
- 5 years limited warranty

## Dimensions

Unit: inch (mm)



## Specifications



MODEL	DW-BJP1UxT / DW-BJP1UxT-LX	
Maximum IP cameras	64	
Included IP licenses	4	
Form factor	1U rack mount	
Operating system		Windows <sup>®</sup> 10 IoT (DW-BJP1UxT) Linux Ubuntu <sup>®</sup> (DW-BJP1UxT-LX)
	OS on SSD	150GB SSD
CPU	Intel <sup>®</sup> i5 <sup>™</sup> processor Option: DW-CPUi7 - upgrade processor to i7*	
Memory	16GB	
NIC	2x gigabit ethernet (RJ45)	
System	Max video storage rate (Mbps)	360 Mbps
	Maximum HDDs	3 x SATA HDD
Storage	Maximum storage	30TB
	Outputs	True HD output or VGA or DVI
Video-out	Video card	GeForce 210 512MB
		Option: DW-RV4H - 4 head HD video card*
	Resolution	HD 1080p
Pre-loaded VMS software	DW Spectrum <sup>®</sup> IPVMS	
Unlimited remote clients	Cross platform - Windows <sup>®</sup> , Linux <sup>®</sup> and Mac <sup>®</sup>	
Mobile apps	iOS <sup>®</sup> and Android <sup>®</sup>	
DW Spectrum <sup>®</sup> IP video management software	Industries most powerful VMS engine - with Intelligent HD dual stream management Automatic camera discovery - auto-detect and connect to 1,000s of supported IP cameras at every resolution ONVIF Profile S conformant Alarm input / relay output and audio recording supported	
Keyboard & mouse	Included	
Railkit	Included	
Power	300W**	
Operating temperature and humidity	5-40 °C / 20-90% RH	
Dimension (WxDxH)	17.32" x 20.86" x 1.718" (440 x 530 x 43.65 mm)	
Warranty	5 year limited	

\* Available at time of initial order only.  
\*\* UPS Recommended