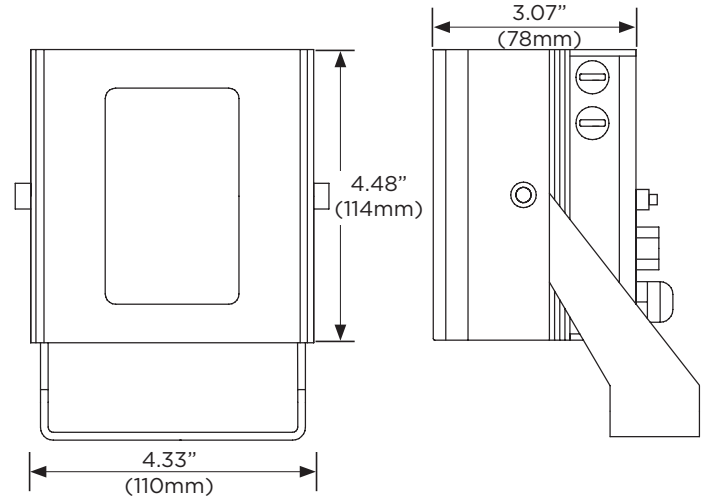




Dimensions

unit: Inch (mm)



Summary

The DW-ILIRIP940 is an IP-enabled Infra-Red (IR) LED outdoor illuminator. The illuminator incorporates the latest surface mount Dual-Core™ LEDs, combined with enhanced optical output and outstanding reliability to provide users with smart lighting solutions for a wide range of applications. The DW-ILIRIP950 lighting includes an interchangeable lens pack to deliver a variety of angles out of the box providing users the flexibility to create different elliptical beam profiles.

Features

- Infra-red LED illuminator
- Interchangeable lens pack to deliver a variety of angles out of the box
- Create different elliptical beam profiles
- Coverage distance up to 374' (115m). See table on page 2.
- Configure lights to switch on when motion is detected
- Activate white-light to deter intruders
- Adjustable photocell and illumination levels
- 940nm wavelength
- Web interface built-in
- High-power Dual-Core™ LEDs with advanced, current limited, integral control circuitry
- IP66 environmental-rated dust-tight and water-resistant
- IK 09-rated impact-resistant

Specifications

CONSTRUCTION	Robust high-quality aluminum extrusion
PHOTOCELL	Adjustable 20 - 70 Lux
ILLUMINATION	Adjustable 10% - 100%
OPERATING TEMPERATURE	-58°F to 122°F (-50°C to 50°C)
MOUNT	Powder coated stainless steel wall mount
INPUT	PoE+ (IEEE802.3at)
CONSUMPTION	25W
IP RATING	IP66 environmental-rated dust-tight and water-resistant in accordance with EN60529:1992
ELECTRONICS	High efficiency surface mount high power Dual-Core™ LEDs with advanced, current limited, integral control circuitry.
RECOMMENDED PSU	Any IEEE 802.3at injector (not included)
REMOTE ACCESS	Web browser user interface. No software or installation needed.
WARRANTY	2 year warranty

Accessories (optional)



DW-ILWM1
Mounting bracket for a single (1) illuminator



DW-ILWM3
Mounting bracket for three (3) illuminators



DW-ILWM2
Mounting bracket for two (2) illuminators



DW-ILPM1
Pole mount bracket for a single (1) illuminator

(see second page for coverage details).

Product Code	Wavelength	Angle	Distance		FOV	
DW-ILIRIP940	940nm	10° - Circular	115m	376'	20m	66'
		20° - Elliptical	80m	262'	28m	93'
		30° - Elliptical	65m	213'	35m	114'
		60° - Elliptical	40m	131'	46m	152'
		80° - Elliptical	30m	98'	50m	165'
		95° - Elliptical	20m	66'	44m	143'