

Designed and Commissioned in the U.S.A. 



- 
Blackjack[®] System
- 
Max. Throughput
- 
80 or 160TB Storage
- 
Hot-Swappable HDD
- 
RAID
- 
Warranty

Summary

Blackjack[®] NAS[™] rack mount models are high-reliability network attached storage devices for Blackjack[®] E-Rack[™] and X-Rack[™] Servers and any network-attached computer or recorder. The 8 and 16 bay rack mount models act as primary or backup recording for existing DW Spectrum[®] IPVMS systems. Models offer 80TB and 160TB storage with RAID5 activated easily by a single click of the mouse. Additional hardware features include hot swappable HDDs and dual power supply.

Blackjack[®] NAS[™] devices integrate easily into a Blackjack[®] E-Rack[™] or X-Rack[™] system with a total of up to 600Mbps throughput, allowing you to record and backup more days of video without the need for additional video recorders. The Blackjack[®] NAS[™] integrates seamlessly into a DW Spectrum[®] IPVMS system, allowing for an instant search and data management and is backed by DW[®]'s unbeatable 5 year warranty.

Features

- Centralize your file storage and backup with excellent performance
- Expands recording capacity of any Blackjack[®] NVR system
- Add and manage recording for your NAS station directly from the DW Spectrum[®] IPVMS client software
- Seamless search via the DW Spectrum[®] IPVMS client, including smart motion search, spyglass and calendar search options.
- Add a NAS station to a Blackjack[®] E-Rack server with up to 128 cameras to quickly expand local storage and backup capacity at up to 600Mbps throughput.
- Storage options 80TB, 160TB internal storage
- RAID 5
- Proprietary Linux[®] embedded OS
- Redundant power supply
- Hot swappable drives
- Rail kit included
- 5 year warranty



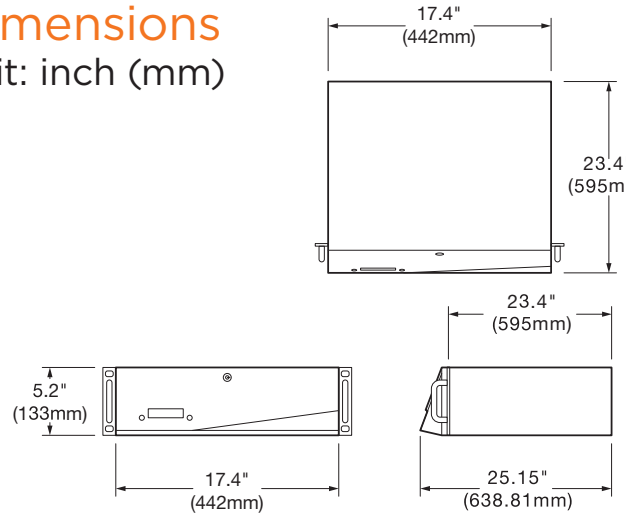
Available models

- DW-BJ16NAS80TR - 70TB recording storage, RAID5
- DW-BJ16NAS160TR - 140TB recording storage, RAID5

Notes	<ul style="list-style-type: none"> • Blackjack[®] E-Rack servers cannot be combined. • Only one Blackjack[®] E-Rack server per Blackjack[®] NAS station.
-------	---

Dimensions

unit: inch (mm)



Specifications

PART NUMBER	DW-BJ16NASxTR
Operating system	Proprietary Linux [®] embedded
Form factor	19" rack mount (3U)
Maximum hard drives	16x 3.5" hot swappable HDDs
Maximum storage capacity	140TB
RAID	RAID 5
Max. recording channel	Max 128 2.1MP cameras with Blackjack [®] E-Rack
Max. recording bandwidth	Max. 600Mbps throughput
LAN	4x Gigabit Ethernet (RJ45)*
File service protocol	iSCSI(IP-SAN)**
Network protocol	iSCSI(IP-SAN), DHCP, HTTP, TCP/IP, UDP/IP, SNMP v1/v2c/v3, SMTP, DNS, NTP
Max. iSCSI volume	4 (default 2)
Storage file system	Windows [®] : NTFS***
LED indicators	Power, activity and status (error)
LCD	RAID status, HDD status, network status (IP info), model info (model name and serial number), firm-ware info
Audible alert	RAID error
E-mail notifications (optional)	HDD status
Remote configuration	Blackjack [®] NAS web management console, DW IP Finder [™]
Supported IPVMS	DW Spectrum [®] IPVMS for Windows [®]
Supported browsers	Microsoft [®] IE [®] 10 or higher Google [®] Chrome [®] 57 or higher Mac [®] Safari [®] 9 or higher (required) Firefox [®] 43 or higher
USB output	2 USB ports, may used for upgrading FW via USB thumb drive. Not being used for connecting to USB HDD.
Operating temperature	41°F-104°F (5°C-40°C)
Humidity	20-90% (RH) non-condensing
Power supply	Dual SMPS 520W redundant, hot swappable 100 - 240 VAC; 50/60 Hz, 5.8-4A at 100/240VAC
Dimensions (WxDxH)	17.4" x 5.2" x 23.4"(442 x 133 x 595 mm)
Weight	Net: 35.3lbs (16.0 Kg)
Warranty	5 year
Client requirements	CPU: Intel [®] 6th generation i7 [®] or higher RAM: 16GB OS: Windows [®] 7 or higher, Windows [®] server 2008/2012 (Linux [®] compatible option coming soon)

* Only one Ethernet port will be used
** Require iSCSI Initiator on server running DW Spectrum Media Server
*** Ubuntu compatible coming soon