



DWC-MB421TIR



**Default Login Information**

Username: **admin** Password: **admin**

**WHAT'S IN THE BOX**

QSG Manual		1 Set	Screw & Plastic Anchor – 4pcs		1 Set
Template Sheet		1 Set	Torx Wrench		1 Set
Test Video Cable		1 Set			

NOTE: Download All Your Support Materials and Tools in One Place

1. Go to: <http://www.digital-watchdog.com/support-download/>
2. Search your product by entering the part number in the 'Search by Product' search bar. Results for applicable part numbers will populate automatically based on the part number you enter.
3. Click 'Search'. All supported materials, including manuals, Quick Start Guides (QSG), software and firmware will appear in the results.

**Attention: This document is intended to serve as a quick reference for initial set-up. It is recommended that the user read the entire instruction manual for complete and proper installation and usage.**

**Step 1 – PREPARING TO MOUNT THE CAMERA**

1. The mounting surface must bear five times the weight of your camera.
2. Do not let the cables get caught in improper places or the electric line cover to be damaged. This may cause a breakdown or fire.
3. Using the mounting template sheet or the camera itself, mark and drill the necessary holes in the wall or ceiling.

**Step 2 – CABLING THE CAMERA TO EXTERNAL DEVICES**

4. Pass the wires through and make all necessary connections.
  - a. NETWORK CONNECTIONS – If you are using a PoE Switch, connect the camera using an Ethernet cable for both data and power.
  - b. NETWORK CONNECTIONS – If you are using a non-PoE switch, connect the camera to the switch using an Ethernet cable for data transmission and use a power adapter to power the camera.

**Power Requirements**

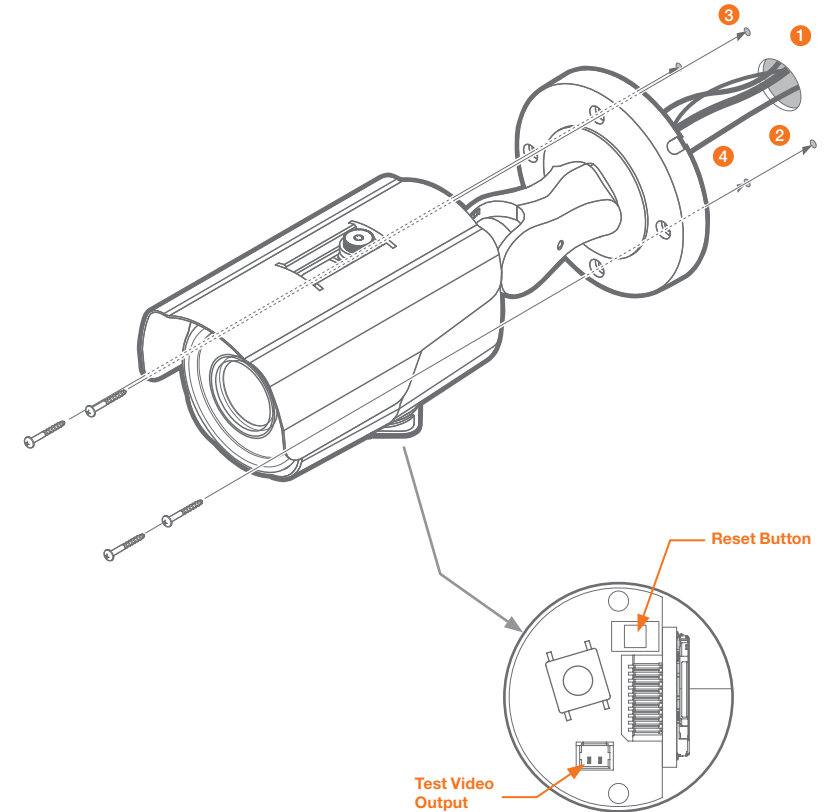
DC 12V  
PoE IEEE 802.3af / PoE Class 3

**Power Consumption**

AF Working MAX 12W  
LED On : 7.2W  
LED Off : 2.5W

**Step 3 – INSTALLING THE CAMERA**

5. Loosen the pan and tilt screws at the base of the camera's bracket to adjust the camera's view and position.

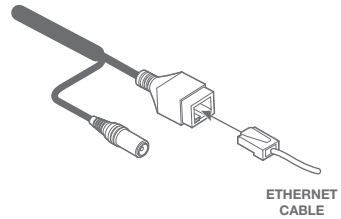


**Resetting the camera:** To reset the camera, use the tip of a paper clip or a pencil and press the reset button. Pressing the button for five (5) seconds will initiate a camera-wide reset of all the settings, including network settings.

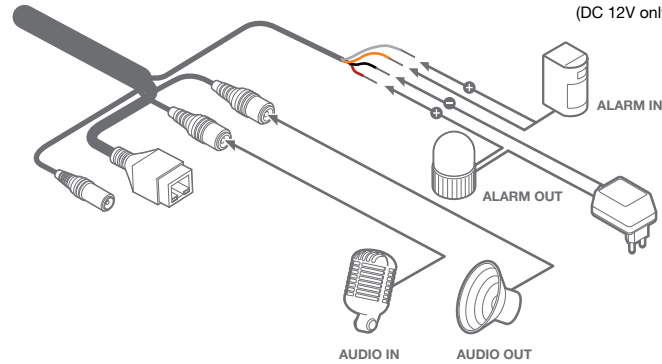
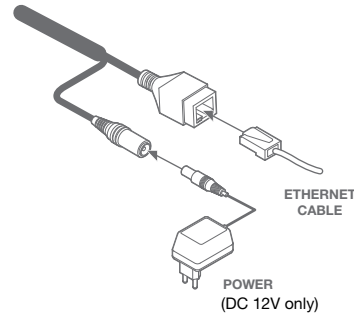
### Step 4 – CABLING

Use the diagram below to properly connect power, network, audio, alarm and sensors to the camera.

#### Using a PoE-Enabled Switch

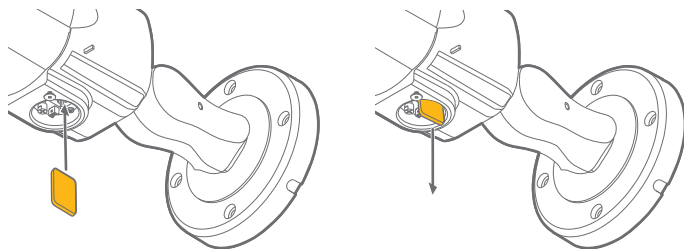


#### Using a Non-PoE Switch



### Step 5 – MANAGING THE SD CARD

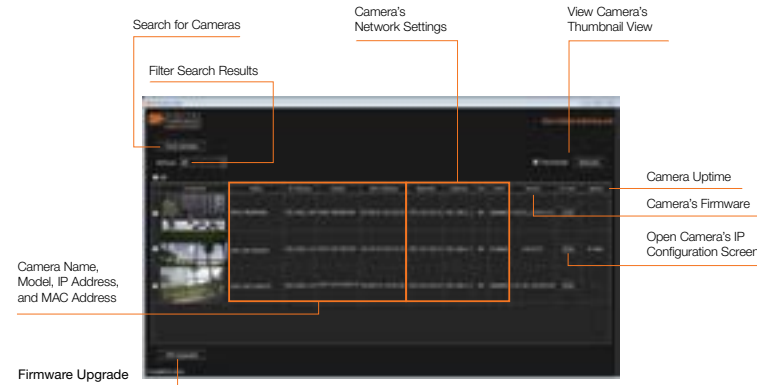
- To install the camera's SD Card, locate the SD card slot in the bottom of the camera by unscrewing the con cap.
- Insert class 10 SD/SDHC/SDXC card into the SD card slot by pressing the SD card until clicks.
- To remove the SD card, press the card inward until it clicks to release from the card slot then pull out from the slot.



**NOTE:** Maximum SD Card size supported: 64GB.  
When inserting the SD card into the card slot, the SD card's contacts should be facing upward, as shown in the diagram.

### Step 6 – DW IP FINDER™

Use the DW IP Finder™ software to scan the network and detect all MEGApix® cameras, set the camera's network settings or access the camera's web client.



#### Network Setup

- Go to: <http://www.digital-watchdog.com>
- Search for 'IP Finder' on the quick search bar at the top of the page.
- The latest IP Finder software will appear in the search results. Click on the link to download the file to your computer.
- The software will scan your network for all supported cameras and display the results in the table. Allow up to 5 seconds for the IP Finder to find the camera on the network.
- Select a camera from the list by double-clicking on the camera's image or clicking on the 'Click' button under the IP Conf. column. The camera's network information will appear. If necessary, you can adjust the camera's network type.

- Select DHCP if the internet service is dynamic IP. This will allow the camera to receive its IP address from the DHCP server.
- Select STATIC to manually enter the camera's IP address, subnet mask, Gateway and DNS information.
- Contact your network administrator for more information.

- The camera's default network information is:

- Default TCP/IP information**
  - IP Configuration Mode: DHCP
  - Web Port: 80



- To view the camera's web viewer, click on 'View Camera Website'. Enter the camera's username and password to login to the camera.

**i** Default Login information – Username: admin / Password: admin

**i** 'Port Forwarding' has to be set in your network's router for external access to the camera.

- To save the changes made to the camera's settings, input the username and password of the camera for authentication and click 'Save'.
- If the camera needs to be rebooted after the settings were changed, press the 'Reboot' button. The camera will cycle power and will appear back in the search results once the reboot is complete.

### Step 7 – WEB VIEWER



Once the camera's network settings have been setup properly, you can access the camera's web viewer using the DW IP Finder™.

To open the camera's web viewer:

- Find the camera using the DW IP Finder™.
- Double-click on the camera's view in the results table.
- Press the 'View Camera Website'. The camera's web viewer will open up in your default web browser.
- Enter the camera's username and password.
- If you are accessing the camera for the first time, install the VLC player in order to view video from the camera.

**NOTE:** Please see the full product manual for web viewer setup, functions and camera settings options.